

Windowless RibLok™

A nose datum fastener enabling stable, repeatable setup on various rib heights and eliminating the need for a windowed tower



Direct Pull Reusability

Enables component service without performance degradation in metal slots.



Fastener Standardization

Allows for a common fastener in multiple setup heights and material substrates.



Precision / Consistency

Maintains a consistent assembly setup height after repeated use by locating off the end of rib.



Low Profile Size

Requires less packaging space compared to standard trim clip designs.



Blind Pre-Assembly

Installs and retains on rib prior to final assembly.



**Installs onto
Rib / Flange**

Ideal Applications:



Accessories



Instrument Panel



Door Panel
& Mechanism

For more information **contact your Account Manager or call 248.589.2500**

Windowless RibLok™



Direct Pull
Reusability



Fastener
Standardization



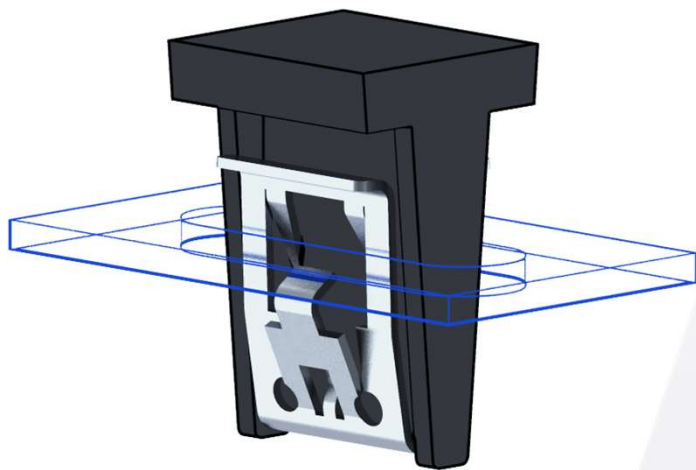
Precision /
Consistency



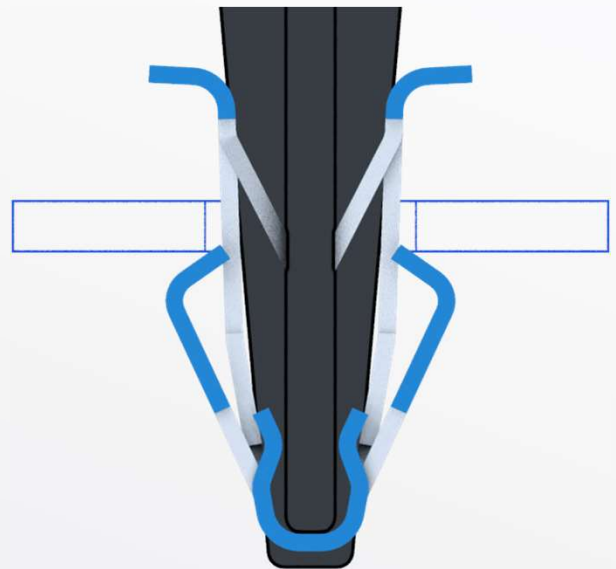
Low Profile
Size



Blind
Pre-Assembly



Datums from tower nose
instead of tower base



During panel service, the windowless RibLok™
remains affixed to rib to maintain a consistent
assembly setup between uses

For more information **contact your
Account Manager or call 248.589.2500**