

Flush Mount Box Nut™

A self-retaining nut solution that sits flush in any orientation while featuring the same performance benefits of a standard box nut



High Strength

Achieves performance through the multi-threaded barrel extrusion and excellent retention via expanding legs.



Ergonomic Installation

Installs with a single push at 45N (10 LBF) MAX. Automation compatible.



Enables Lightweighting

Achieves ~50% weight reduction over a cold formed nut while offering same strength properties.



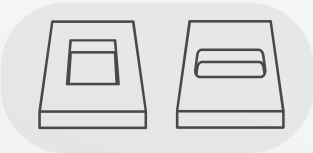
Fastener Standardization

Accommodates a range of panel thicknesses and material types.



Flush Install

Holds flush in all orientations to mitigate assembly interference and aid bolt alignment.



Installs into Square or Rectangular Hole

Ideal Applications:



Instrument Panel



Pillars



Center Console



Door Panel & Mechanism

For more information **contact your Account Manager or call 248.589.2500**

Flush Mount Box Nut™



High Strength



Ergonomic Installation



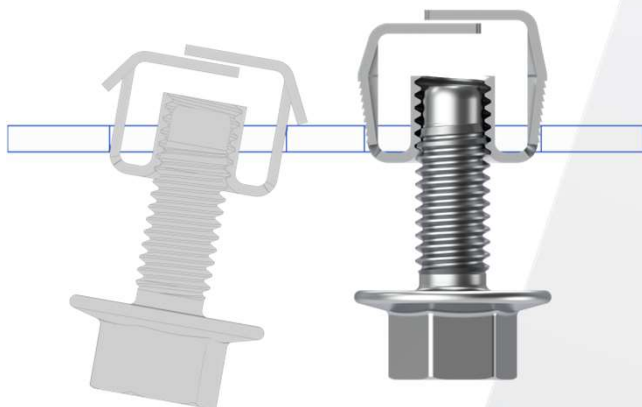
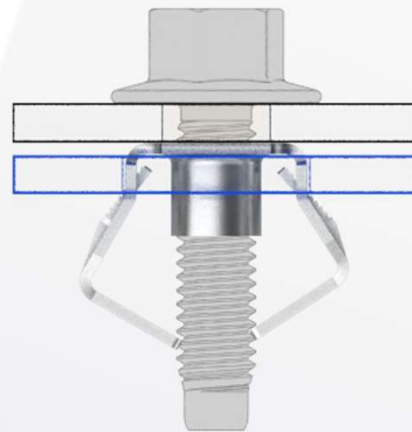
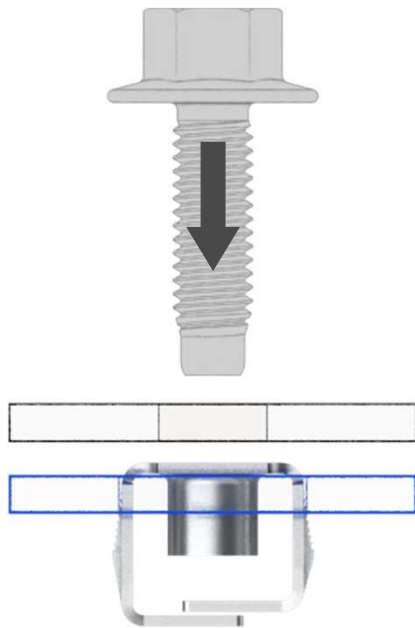
Enables Lightweighting



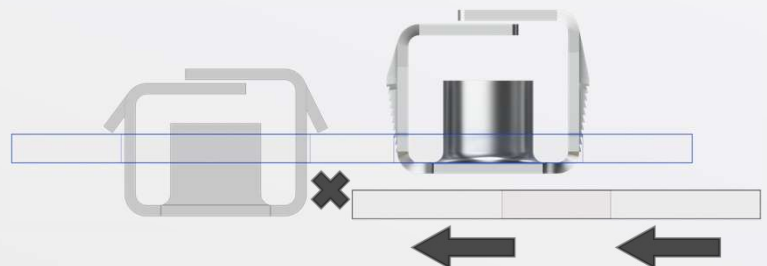
Fastener Standardization



Flush Install



Maintains alignment in inverted applications to aid in assembly



Remains flush in inverted applications for tight clearances and to minimize transport damage

For more information **contact your Account Manager** or call **248.589.2500**