

CompNuts™

An inseparable, lightweight, compression-limiting system that compensates for gaps between components



Rigid Support + Gap Compensation

Provides strong column strength to support bolt proof load, while addressing build variation and changing gaps between components.



Enables Assembly Options

Allows for pre-assembly to multiple panel thicknesses and material types.



Enables Time Reduction

Eliminates the need for adjustable brackets, reducing assembly times.



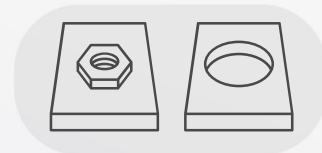
Enables Lightweighting

Achieves weight reduction over a cold formed or hybrid solution while offering same strength properties.



Direct Push Installation

Offers direct push in/on installation with no tool required.

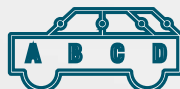


Installs over Circular and Threaded Holes

Ideal Applications:



Instrument Panel



Pillars



Door Panel & Mechanism

For more information **contact your Account Manager or call 248.589.2500**

CompNuts™



Rigid Support +
Gap Compensation



Enables
Assembly Options



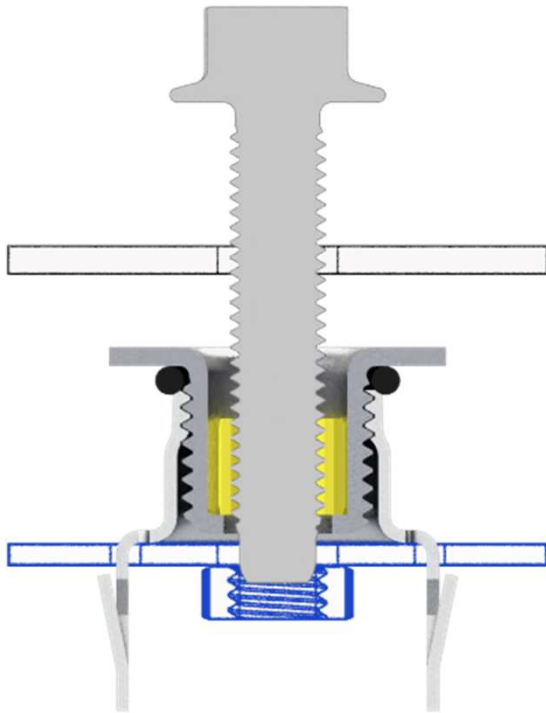
Enables
Time Reduction



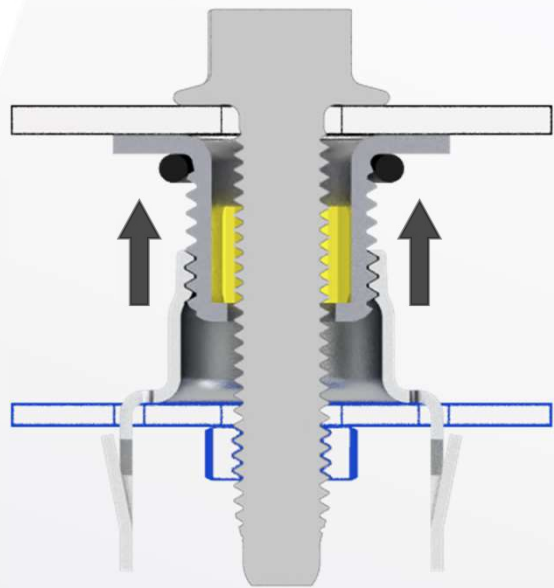
Enables
Lightweighting



Visible
Pre-Assembly



CompNut installs and retains in
panel before final assembly



Fully expands to support panel gap
during bolt installation process



Snap-In Style



Fir Tree Style



U-Clip Style

For more information **contact your
Account Manager or call 248.589.2500**